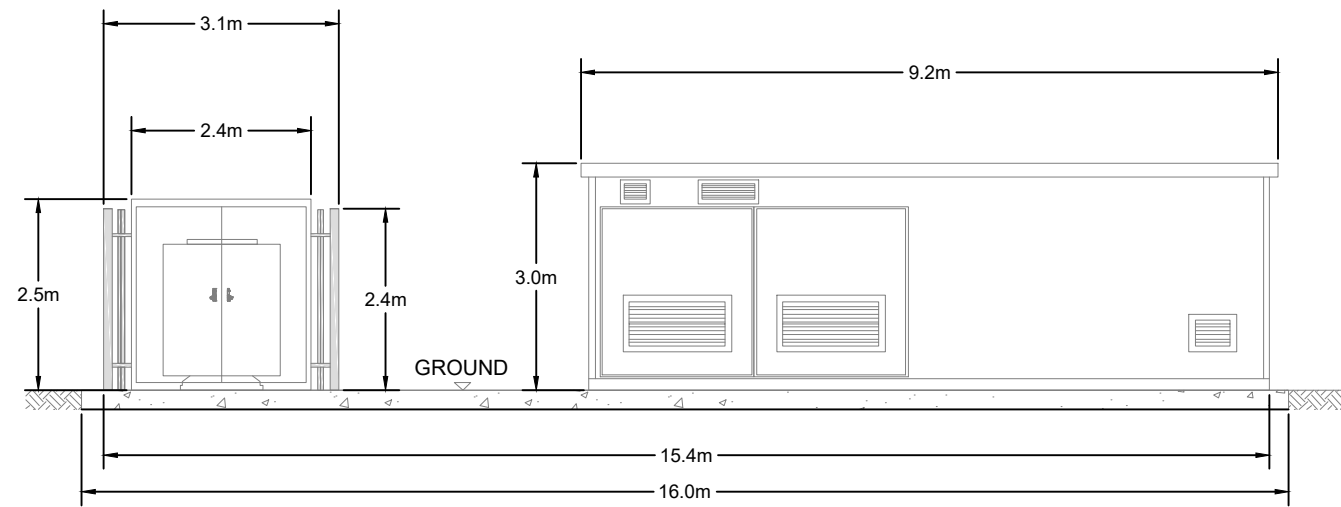
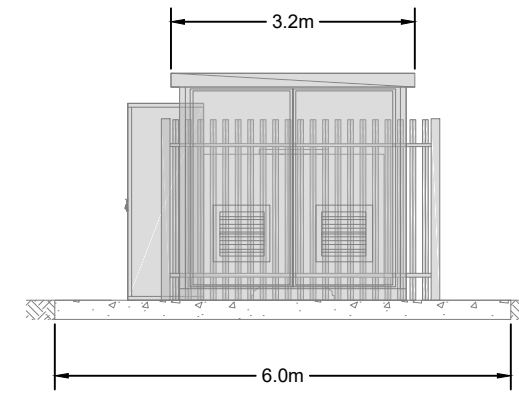


Notes:

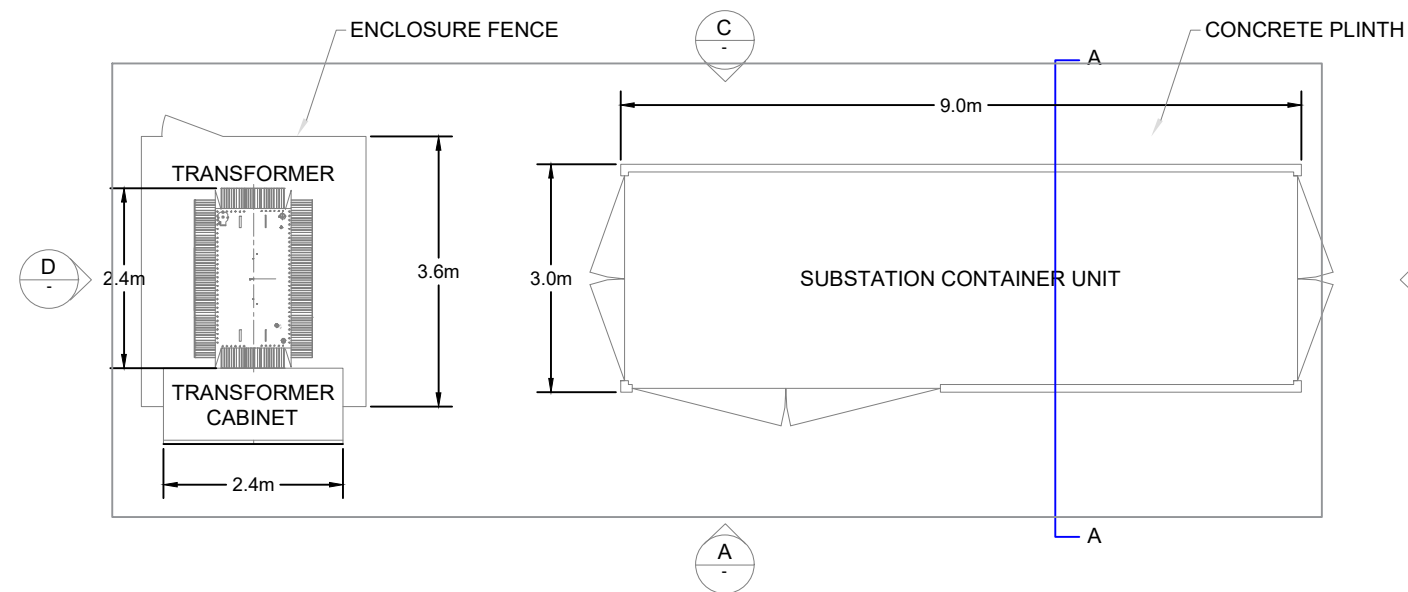
1. All dimensions are maximum anticipated and subject to detailed design.
2. Room & door positions are indicative and are subject to detailed design.
3. Approximate finished floor level 300mm above existing ground.



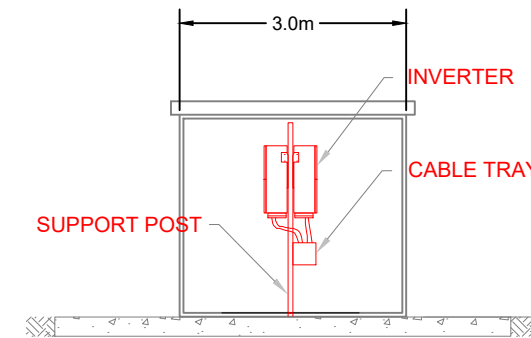
ELEVATION 'A'



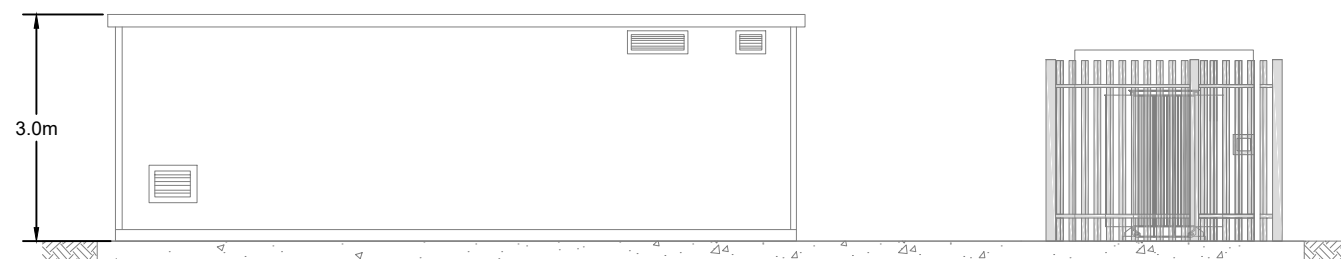
ELEVATION 'B'



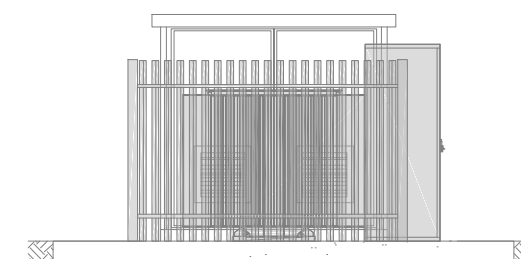
PLAN



SECTION A-A



ELEVATION 'C'



ELEVATION 'D'

Ver.	Date	Comments
A	22/01/2021	



Warrington Office: T:01925 661716 E: info@neo-environmental.co.uk
 Glasgow Office: T: 0141 773 6262 E: info@neo-environmental.co.uk
 Naas Office: T:00353 (0)45 844250 E: info@neo-environmental.ie
 Ballymena Office: T:0282 565 0413 E: info@neo-environmental.co.uk

Project:	Derril Water Solar Farm	
Client:	RES	
Drawing:	Inverter Substation Detail	
Project No.:	NEO00738	
Drawing No.:	NEO00738_0431_A Figure 11	
Drawn:	JM	Checked: MM
Approved:	PN	
Scale:	1:100 @ A3	Revision: A
Date:	22 January 2021	